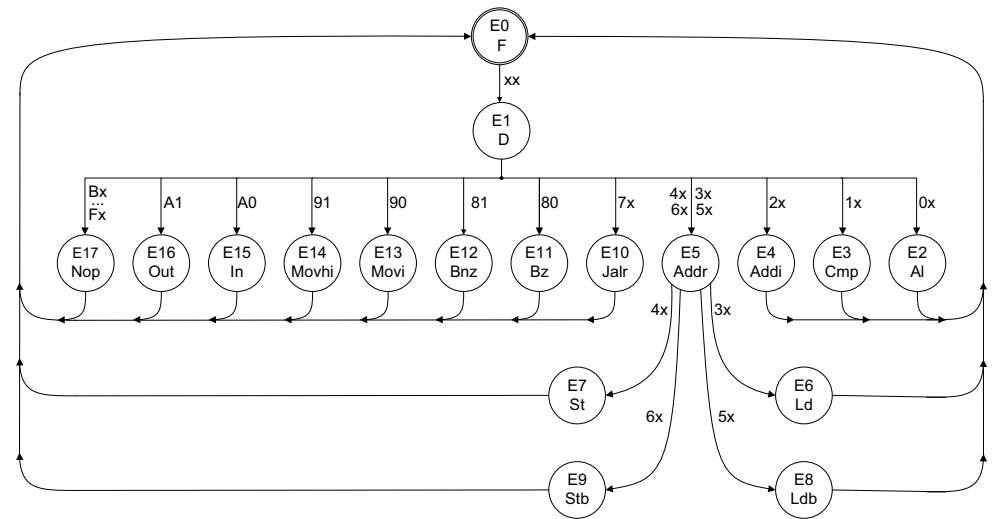


SISA. Formato y codificación

16-bit Instruction															Mnemonic	Format	
15	14	13	12	11	10	9	8	7	6	5	4	3	2	1			0
0	0	0	0	a	a	a	b	b	b	d	d	d	f	f	f	AND, OR, XOR, NOT, ADD, SUB, SHA, SHL	3R
0	0	0	1	a	a	a	b	b	b	d	d	d	f	f	f	CMPLT, CMPLT, -, CMPEQ, CMPLTU, CMPLTU, -, -	
0	0	1	0	a	a	a	d	d	d	n	n	n	n	n	n	ADDI	2R
0	0	1	1	a	a	a	d	d	d	n	n	n	n	n	n	LD	
0	1	0	0	a	a	a	b	b	b	n	n	n	n	n	n	ST	
0	1	0	1	a	a	a	d	d	d	n	n	n	n	n	n	LDB	
0	1	1	0	a	a	a	b	b	b	n	n	n	n	n	n	STB	
0	1	1	1	a	a	a	d	d	d	x	x	x	x	x	x	JALR	1R
1	0	0	0	a	a	a	0	n n n n n n n n								BZ	
1	0	0	0	a	a	a	1	n n n n n n n n								BNZ	
1	0	0	1	d	d	d	0	n n n n n n n n								MOVI	
1	0	0	1	d	d	d	1	n n n n n n n n								MOVHI	
1	0	1	0	d	d	d	0	n n n n n n n n								IN	
1	0	1	0	a	a	a	1	n n n n n n n n								OUT	



Funcionalidad de la ALU

F			OP			
b ₂	b ₁	b ₀	1 1	1 0	0 1	0 0
0	0	0	---	X	CMPLT (X, Y)	AND (X, Y)
0	0	1	---	Y	CMPLT (X, Y)	OR (X, Y)
0	1	0	---	MOVHI(X, Y)	---	XOR(X, Y)
0	1	1	---	X&(-1)	CMPEQ (X, Y)	NOT (X)
1	0	0	---	---	CMPLTU (X, Y)	ADD (X, Y)
1	0	1	---	---	CMPLTU (X, Y)	SUB (X, Y)
1	1	0	---	---	---	SHA(X, Y)
1	1	1	---	---	---	SHL(X, Y)